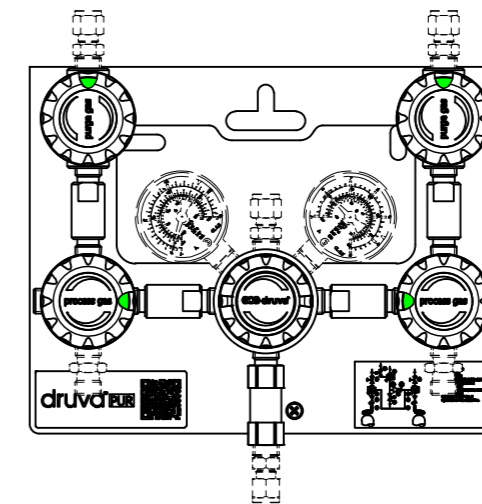
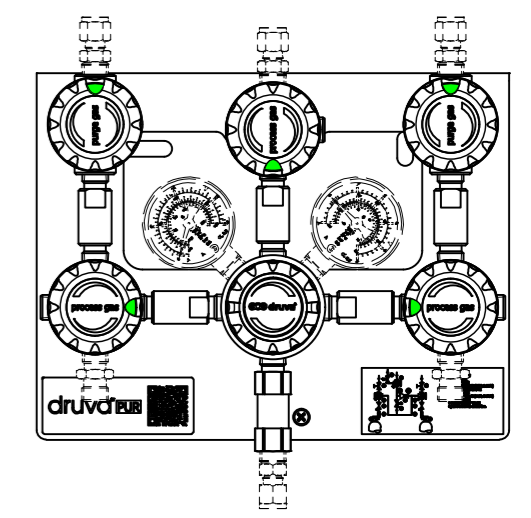


VERSIONS OVERVIEW

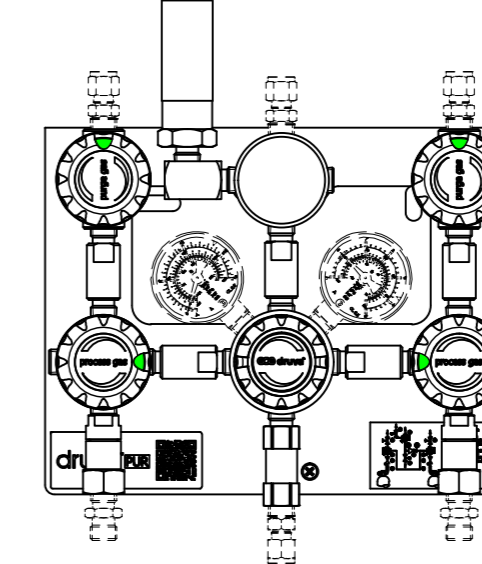
OPTION - P0 / SPECIAL - 0



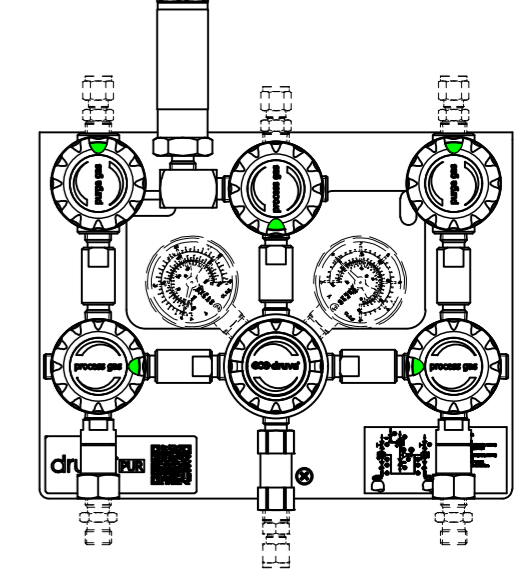
OPTION - PS / SPECIAL - 0



OPTION - P0 / SPECIAL - U



OPTION - PS / SPECIAL - U



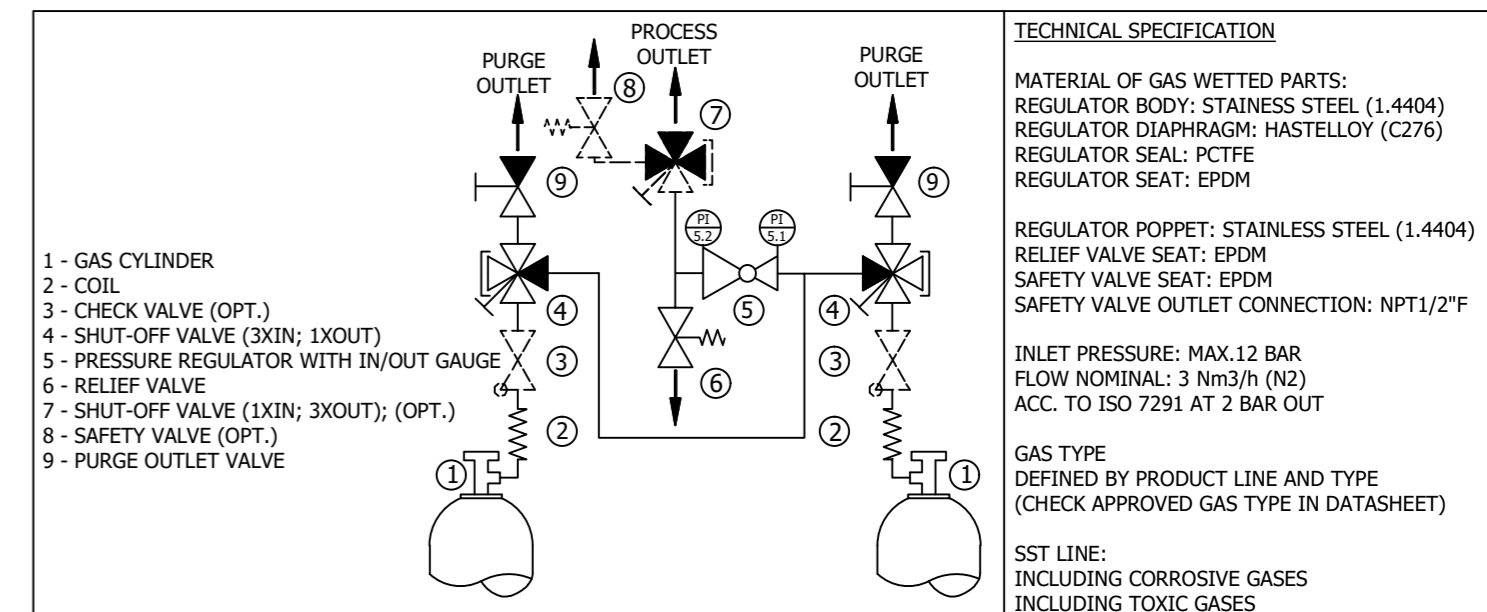
ORDERING INFORMATION

MSLLEM S P X X XX XX XX XX XXXX XXXX XXXX

<b>STAGES:</b> S - SINGLE STAGE	<b>PURGE &amp; RELIEF CONNECTION:</b> N14F - NPT1/4" FEMALE MORE VERSIONS ON LIST OF CONN.
<b>OPTIONS:</b> P0 - HP GAS PURGE + LP WITHOUT PS - HP GAS PURGE + LP SHUT-OFF VALVE	<b>PROCESS OUTLET CONNECTION:</b> N14F - NPT1/4" FEMALE M03S - COMPRESSION FITTING 3MM SS M06S - COMPRESSION FITTING 6MM SS MORE VERSIONS ON LIST OF CONNECTIONS
<b>SPECIALS:</b> 0 - WITHOUT C - CHECK VALVE S - SAFETY VALVE U - CHECK VALVE + SAFETY VALVE	<b>PROCESS INLET CONNECTION:</b> N14F - NPT1/4" FEMALE M14M - M14X1,5 MALE
<b>INLET PRESSURE:</b> D1 - 12 BAR	<b>OUTLET GAUGE TYPE:</b> BT - BOURDON TUBE I2 - INDUCTIVE CONTACT I2 R2 - REED CONTACT R2 I1 - INDUCTIVE CONTACT I1 R5 - REED CONTACT R5
<b>OUTLET PRESSURE:</b> AY - 1 BAR AX - 2 BAR	<b>INLET GAUGE TYPE:</b> BT - BOURDON TUBE I1 - INDUCTIVE CONTACT I1 R5 - REED CONTACT R5

LIST OF CONNECTIONS

- N14F - NPT1/4" FEMALE
- M03S - COMPRESSION FITTING 3MM SS
- M06S - COMPRESSION FITTING 6MM SS
- M08S - COMPRESSION FITTING 8MM SS
- M10S - COMPRESSION FITTING 10MM SS
- M12S - COMPRESSION FITTING 12MM SS
- IX2S - COMPRESSION FITTING 1/8" SS
- IX4S - COMPRESSION FITTING 1/4" SS
- IX6S - COMPRESSION FITTING 3/8" SS
- IX8S - COMPRESSION FITTING 1/2" SS



**TECHNICAL SPECIFICATION**

MATERIAL OF GAS WETTED PARTS:  
REGULATOR BODY: STAINLESS STEEL (1.4404)  
REGULATOR DIAPHRAGM: HASTELLOY (C276)  
REGULATOR SEAL: PCTFE  
REGULATOR SEAT: EPDM

REGULATOR POPPET: STAINLESS STEEL (1.4404)  
RELIEF VALVE SEAT: EPDM  
SAFETY VALVE SEAT: EPDM  
SAFETY VALVE OUTLET CONNECTION: NPT1/2" F

INLET PRESSURE: MAX. 12 BAR  
FLOW NOMINAL: 3 Nm<sup>3</sup>/h (N<sub>2</sub>)  
ACC. TO ISO 7291 AT 2 BAR OUT

GAS TYPE  
DEFINED BY PRODUCT LINE AND TYPE  
(CHECK APPROVED GAS TYPE IN DATASHEET)

SST LINE:  
INCLUDING CORROSIVE GASES  
INCLUDING TOXIC GASES



Polotovár / Raw material	Rozměr polotovaru / Dim. of raw material	Povrchová úprava / Surface finish	Hmotnost / Weight
Material / Material	Material / Material	Starý výkres / Old drawing	1 / 2
Komentář / Notice	Opracování / Machining	Kritický rozměr značen / Critical dimension marked	KR
Datum vypracování / Creation date	07.05.2021	Neto rozměry / Dim. without tol.	ISO 2768 m,K
Vypracoval / Created	Iris Baier		
Kontroloval / Inspected	L. Ondraček	Měřítko / Scale	1:2
Schválil / Approved	Ing. Z. Hajek		
Klasifikace / Item Class	B: Standard		

**MANIFOLD SST-LINE LOW FLOW LE**  
**MAN SST 020Q LE 2MANU SGL PROPURGE**



**MSLLEMSP**

EXAMPLE: MSLLEMSPS0D1AXBTTBN14FM06SM06S